

# KRAFTWERK®

FAVORITE TOOLS SINCE 1979

## Instruction Manual

### Foldbable creeper and work seat 2 in 1

Art. 3989

EN

max.  
**150 kg**



## SAFETY and GENERAL INFORMATION

For your safety, read, understand, and follow the information provided with and on this folding creeper. The owner and operator shall have an understanding of this product and safe operating procedures before attempting to use. The owner and operator shall be aware that use of this product may require special skills and knowledge. Make certain that the operator thoroughly understands the inherent dangers associated with the use and misuse of the product. If any doubt exists as to the safe and proper use of this product, remove from service immediately.

**Inspect before each use.** Do not use if there are broken, bent, cracked or damaged parts (including labels). Any folding creeper that appears damaged in any way, or operates abnormally shall be removed from service immediately. If the folding creeper has been subjected to a shock load (a load dropped suddenly, unexpectedly upon it), immediately discontinue use until it has been inspected by KRAFTWERK authorized service center. It is recommended that an annual inspection be done by qualified personnel. Labels and Operator's Manuals are available from manufacturer.

## PRODUCT DESCRIPTION

This device is designed to be folded in a 'Z' shape for use as a mechanics seat or unfolded for use as a mechanics creeper. It is intended to be used to support and move, along a smooth and level surface, rated capacity loads consisting of a single person weighing no more than \*150 kg for the purpose of performing automotive maintenance or service. This device is not intended, designed or engineered to be used for any other purpose.

\* Rated Capacity: One (1) person weighing 150 kg. or less- includes person, tools, equipment, personal items.

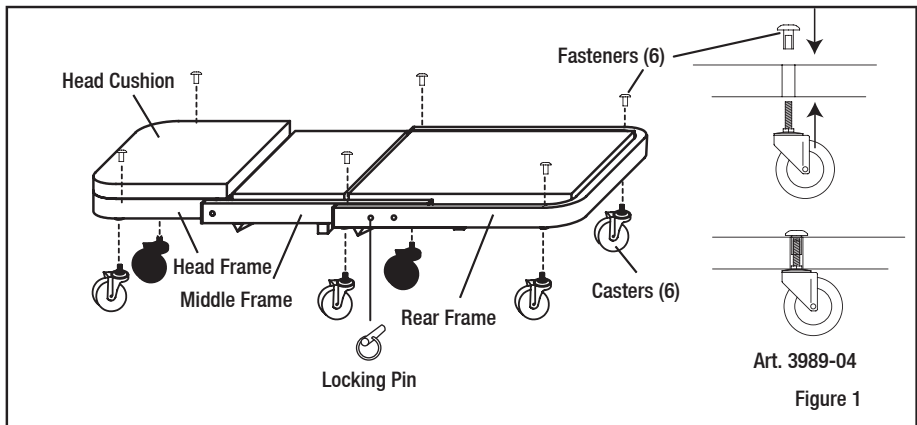
## SPECIFICATIONS

Model	Capacity	Seat Size	Creeper Size
3989	*150 kg	540 x 455 x 500 mm	1020 x 455 x 150 mm



**Do not** use this device for any purpose other than that for which it is expressly intended.

## COMPONENTS



## WARNING



- Read, understand, and follow all printed materials provided with and on this product before use.
- Do not exceed rated capacity! Rated capacity is: 150 kg (includes person, tools, equipment, personal items).
- Sit down gently! Avoid shock loads caused by jumping or falling onto seat.
- Do not stand on seat.
- Beware of pinch and crush hazards when folding and unfolding.
- Keep out of the reach of children! This device is not appropriate for children's use.
- Use on smooth, level surfaces only.

## PREPARATION

Before beginning assembly of product, make sure all parts are present. Compare parts with package contents list and Figure 1 illustration. If any part is missing or damaged, do not attempt to assemble, install or operate the product. Contact customer service for replacement parts.

Contents: 1 creeper body, 6 casters, 6 fasteners

Dimensions: 1020 x 455 x 150 mm

## ASSEMBLY INSTRUCTIONS (Refer to Figure 1)

1. Carefully unfold the creeper as seen in Fig. 1.



**Keep hands away from** pinch and crush points that are created while folding and unfolding!

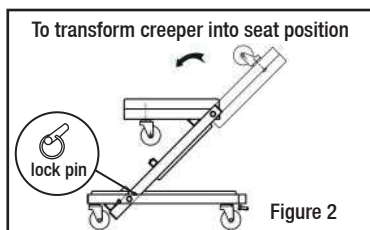
2. Use a suitable screwdriver to attach the head cushion to Head Frame. Hand tighten with screwdriver.
3. Use a 5 mm hex-key to attach the casters to the Rear Frame. Insert the threaded fasteners from above, the casters from below (as seen in Fig. 1), then hand tighten with hex key.

## OPERATING INSTRUCTIONS (Refer to Figure 2, Figure 3)

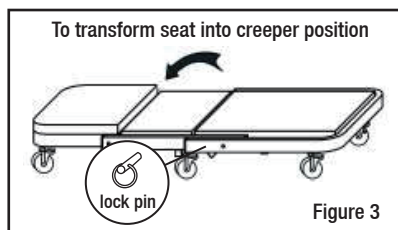
Little instruction is necessary for the safe and proper use if all warning information is understood and followed.



**Keep hands away from** pinch and crush points that are created during use! **Be alert** and sober when using this product! Never operate this equipment when under the influence of drugs or alcohol.



Step 1. Locate, then unlock the spring loaded lock pin by pulling out until disengaged, at the same time flip the Head Frame and Middle Frame upward and back towards the Rear Frame section until the Lock Pin can engage the Creeper Seat Locking Sleeve (Fig. 3). Ensure Lock Pin is fully engaged.  
Step 2. Flip the Head Frame forward until horizontal.



Step 3. Unlock the spring loaded Lock Pin by pulling out until disengaged, then reverse steps 1, 2 to convert Creeper Seat into Creeper.

## CARE AND MAINTENANCE

---

### MAINTENANCE

Little maintenance is required of this device. Wipe clean as needed. Use mild upholstery cleaner (not caustic) to clean seat as needed.



**Never** add lubricant to casters!

### WARRANTY

We do not take responsibility for any damage caused by misuse or any use that is not in compliance with the safety standards described herein.

### CUSTOMER SERVICES

Contact your local importer or your specialized dealer to obtain address of our service department.

---

**FROM DATE OF PURCHASE RECEIPT  
2 YEAR GUARANTEE  
ON MATERIAL OR PRODUCTION DEFECTS**

# **KRAFTWERK®**

FAVORITE TOOLS SINCE 1979

**KRAFTWERK Europe AG**  
Mettlenbachstrasse 23  
CH-8617 Mönchaltorf  
Switzerland  
Tel. +41-44 949 40 50

**KRAFTWERK Sàrl.**  
25, rue du Stade  
F – 67870 Bischofsheim  
France  
Tel. +33-388 48 64 50

[www.kraftwerktools.com](http://www.kraftwerktools.com)