



KRAFTWERK[®]
quality tools

EN

Mobilio Modular Storage System

Art. 3964A



Art. 3964B



Art. 3964C



Art. 3964D



Art. 3964E



Art. 3964 A/B/C/D/E



Download Bedienungsanleitung / Téléchargement du mode d'emploi / Instructions download
Descarga de la instrucción de uso / Download de instruções de operação / Download del manuale



www.KRAFTWERKtools.com

Carefully unpack and spread out all parts in a large uncluttered area. Familiarize yourself with all parts and compare them with the drawing below to make sure none are missing. Read all assembly instructions before beginning.

PARTS LIST:

For 3964A

Item	Art.no.	Description	Q'ty	Item	Art.no.	Description	Q'ty	Item	Art.no.	Description	Q'ty
A	3964-02	1 Door Locker	1	H	3964-09	1361 mm Wooden top	1	U		Bolts M6x12	34
B	3964-05	5 Drawer's base cabinet	1		3964-21	1361 mm Stainless top		V		Bolts M8x16	8
C	3964-03	2 Doors base cabinet	1	I	3964-07	65 mm Connect support	1	W		Hex nut M6	16
E	3964-01	Wall cabinet	2		3964-24	65 mm Connect support for locker	1	X		Spring washer D8	8
F	3964-06	Hanging panel	2		3964-10	32.5 mm Connect support	1	Y		Washer D8	8
								Z		Nuts M6	2

Carefully unpack and spread out all parts in a large uncluttered area. Familiarize yourself with all parts and compare them with the drawing below to make sure none are missing. Read all assembly instructions before beginning.

PARTS LIST:

For 3964B

Item	Art.no.	Description	Q'ty	Item	Art.no.	Description	Q'ty	Item	Art.no.	Description	Q'ty
A	3964-02	1 Door Locker	1	I	3964-07	65 mm Connect support	2	V		Bolts M8×16	12
B	3964-05	5 Drawer's base cabinet	1		3964-24	65 mm Connect support for locker	1	W		Hex nut M6	24
C	3964-03	2 Doors base cabinet	1		3964-10	32.5 mm Connect support	1	X		Spring washer D8	12
D	3964-04	4 Drawer's base cabinet	1	S	3964-18	2042 mm Wooden top	1	Y		Washer D8	12
E	3964-01	Wall cabinet	3		3964-22	2042 mm Stainless top		Z		Nuts M6	2
F	3964-06	Hanging panel	3	U		Bolts M6×12	50				

For 3964C

Item	Art.no.	Description	Q'ty	Item	Art.no.	Description	Q'ty	Item	Art.no.	Description	Q'ty
A	3964-02	1 Door Locker	2	F	3964-06	Hanging panel	4	U		Bolts M6×12	68
B	3964-05	5 Drawer's base cabinet	2	H	3964-09	1361 mm Wooden top	2	V		Bolts M8×16	16
C	3964-03	2 Doors base cabinet	1		3964-21	1361 mm Stainless top		W		Hex nut M6	32
D	3964-04	4 Drawer's base cabinet	1	I	3964-07	65 mm Connect support	3	X		Spring washer D8	16
E	3964-01	Wall cabinet	4		3964-24	65 mm Connect support for locker	2	Y		Washer D8	16
								Z		Nuts M6	4

For 3964D

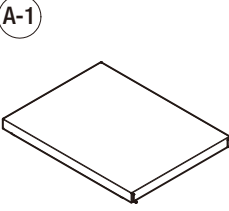
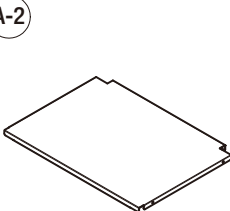
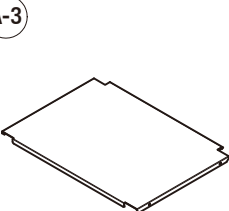
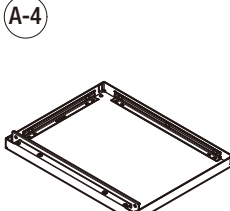
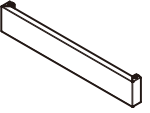

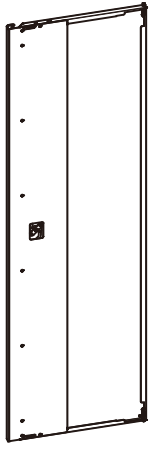
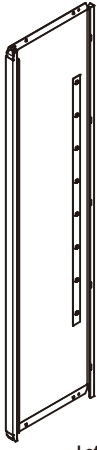



Item	Art.no.	Description	Q'ty	Item	Art.no.	Description	Q'ty	Item	Art.no.	Description	Q'ty
E	3964-01	Wall cabinet	3	K	3964-12	2 Doors Locker	1	U		Bolts M6×12	42
F	3964-06	Hanging panel	3	L	3964-13	9 Drawer's base cabinet	1	V		Bolts M8×16	12
I	3964-07	65 mm Connect support	2	N	3964-15	7 Drawers roller cabinet	1	W		Hex nut M6	24
	3964-24	65 mm Connect support for locker	1	O	3964-11	Base cabinet with trash tray and paper holder	1	X		Spring washer D8	12
	3964-10	32.5 mm Connect support	1	S	3964-18	2042 mm Wooden top	1	Y		Washer D8	12
					3964-22	2042 mm Stainless top		Z		Nuts M6	2

For 3964E

Item	Art.no.	Description	Q'ty	Item	Art.no.	Description	Q'ty	Item	Art.no.	Description	Q'ty
A	3964-02	1 Door Locker	1	J	3964-19	Wall cabinet	5	S	3964-18	2042 mm Wooden top	1
C	3964-03	2 Doors base cabinet	1	K	3964-12	2 Doors Locker	1		3964-22	2042 mm Stainless top	
D	3964-04	4 Drawer's base cabinet	1	M	3964-14	8 Drawer's base cabinet	1	T	3964-16-99	Wooden top for corner	1
F	3964-06	Hanging panel	5	N	3964-15	7 Drawers roller cabinet	1		3964-23	Stainless top for corner	
H	3964-09	1361 mm Wooden top	1	O	3964-11	Base cabinet with trash tray and paper holder	1	U		Bolts M6×12	100
	3964-21	1361 mm Stainless top						V		Bolts M8×16	24
I	3964-07	65 mm Connect support	5	P	3964-16	Base cabinet for corner	1	W		Hex nut M6	48
	3964-24	65 mm Connect support for locker	2	Q	3964-25	Wall cabinet for corner	1	X		Spring washer D8	24
	3964-10	32.5 mm Connect support	2	R	3964-17	Hanging panel for corner	2	Y		Washer D8	24
								Z		Nuts M6	4

Carefully unpack and spread out all parts in a large uncluttered area. Familiarize yourself with all parts and compare them with the drawing below to make sure none are missing. Read all assembly instructions before beginning.

LOCKER (A) /3964-02
PARTS LIST:

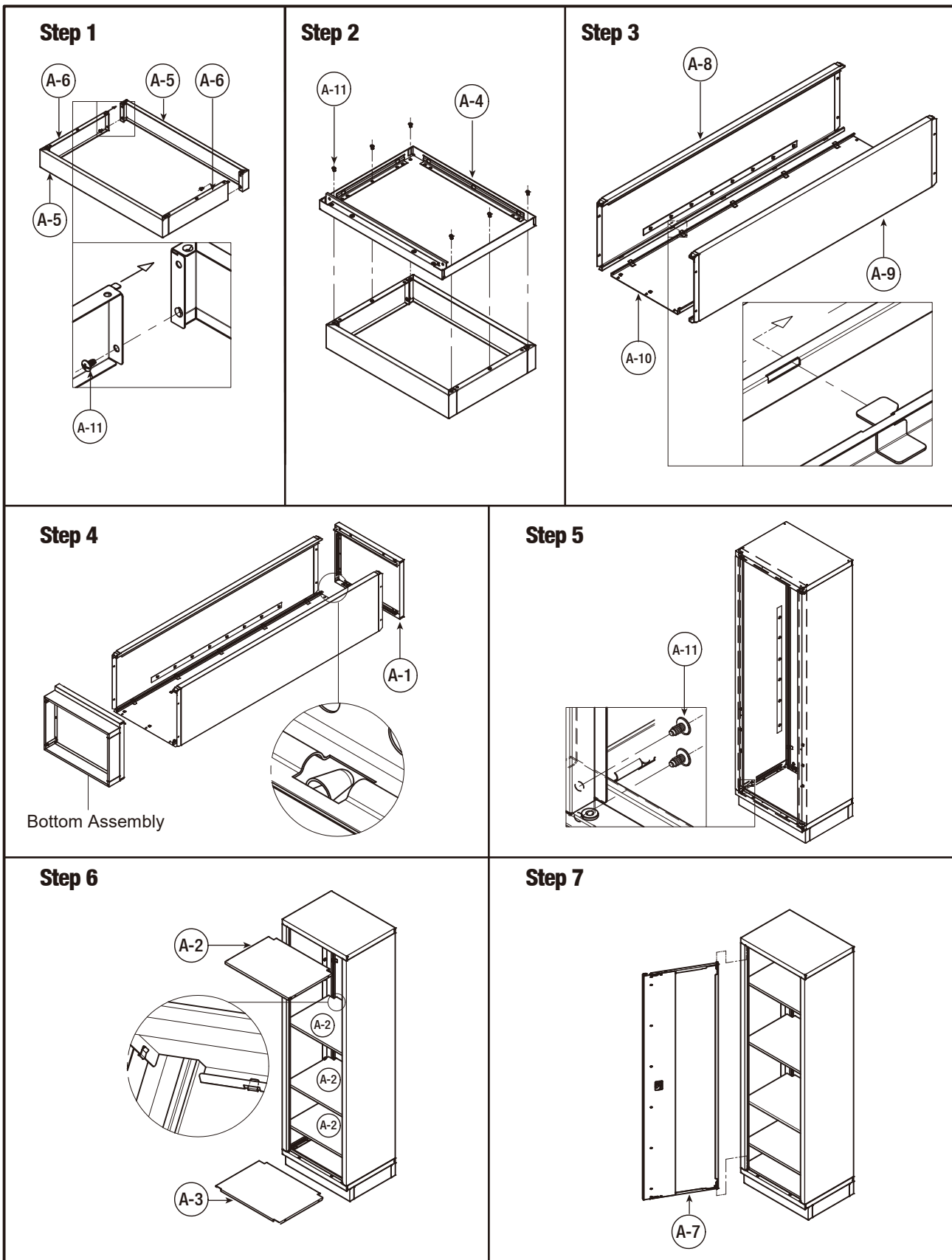
 <p>A-1 Top panel</p>			 <p>A-2 Adjustable shelf</p>			 <p>A-3 Bottom shelf</p>			 <p>A-4 Bottom panel</p>			 <p>A-5 Base front panel</p>		
									 <p>A-6 Base side panel</p>					
 <p>A-7 Door</p>			 <p>A-8 Left side panel</p>			 <p>A-9 Right side panel</p>			 <p>A-10 Back panel</p>					
 <p>A-11 Screws ST6x12</p>														
Item	Description	Q'ty	Item	Description	Q'ty	Item	Description	Q'ty						
A-1	Top panel	1	A-5	Base front panel	2	A-9	Right side panel	1						
A-2	Adjustable shelf	4	A-6	Base side panel	2	A-10	Back panel	1						
A-3	Bottom shelf	1	A-7	Door	1	A-11	Screws ST6x12	18+1						
A-4	Bottom panel	1	A-8	Left side panel	1									

TOOLS REQUIRED:

#2 and #3 phillips screwdrivers

10mm wrench or socket for caster nuts

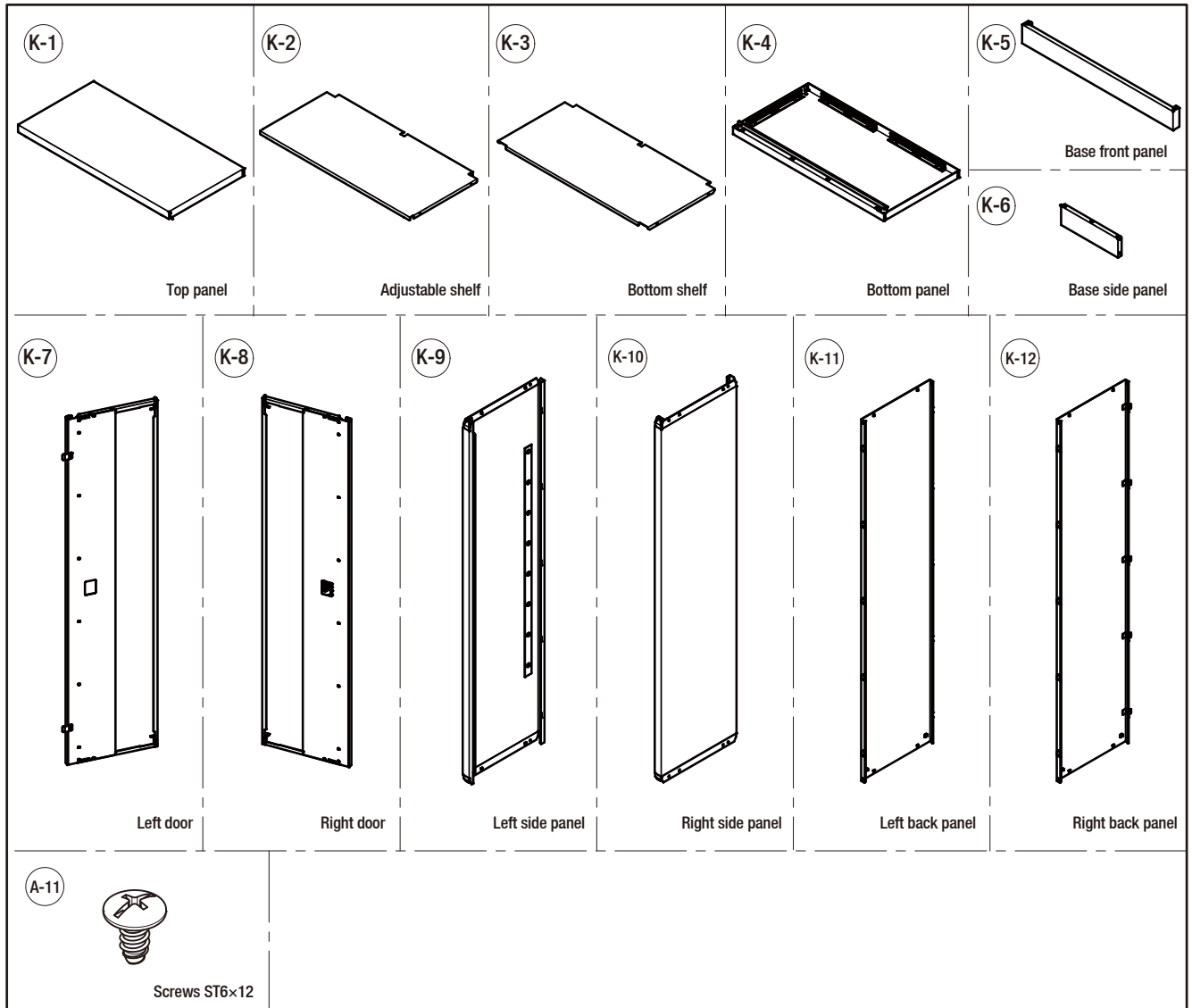
13mm wrench or socket for corner frame nuts



During assembly do not tighten bolts until all components are aligned properly, then tighten fully.

Carefully unpack and spread out all parts in a large uncluttered area. Familiarize yourself with all parts and compare them with the drawing below to make sure none are missing. Read all assembly instructions before beginning.

LOCKER (K) /3964-12
PARTS LIST:



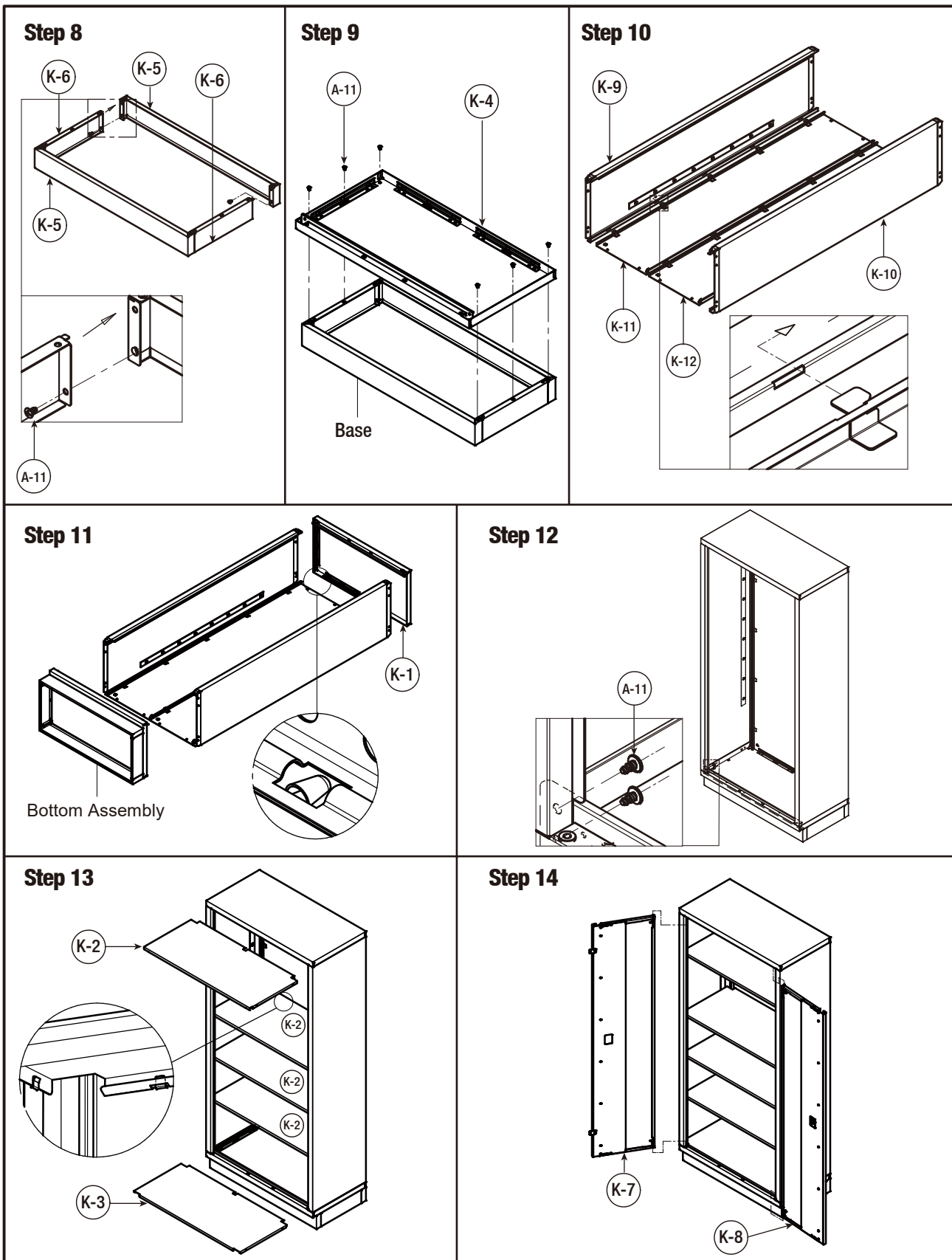
Item	Description	Q'ty	Item	Description	Q'ty	Item	Description	Q'ty
K-1	Top panel	1	K-6	Base side panel	2	K-11	Left back panel	1
K-2	Adjustable shelf	4	K-7	Left door	1	K-12	Right back panel	2
K-3	Bottom shelf	1	K-8	Right door	1	A-11	Screws ST6×12	18+1
K-4	Bottom panel	1	K-9	Left side panel	1			
K-5	Base front panel	2	K-10	Right side panel	1			

TOOLS REQUIRED:

#2 and #3 phillips screwdrivers

10mm wrench or socket for caster nuts

13mm wrench or socket for corner frame nuts



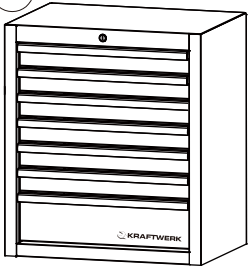
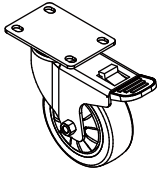
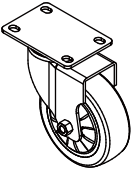
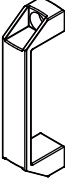


During assembly do not tighten bolts until all components are aligned properly, then tighten fully.

TOOLS REQUIRED:

- #2 and #3 phillips screwdrivers
- 10mm wrench or socket for caster nuts
- 13mm wrench or socket for corner frame nuts

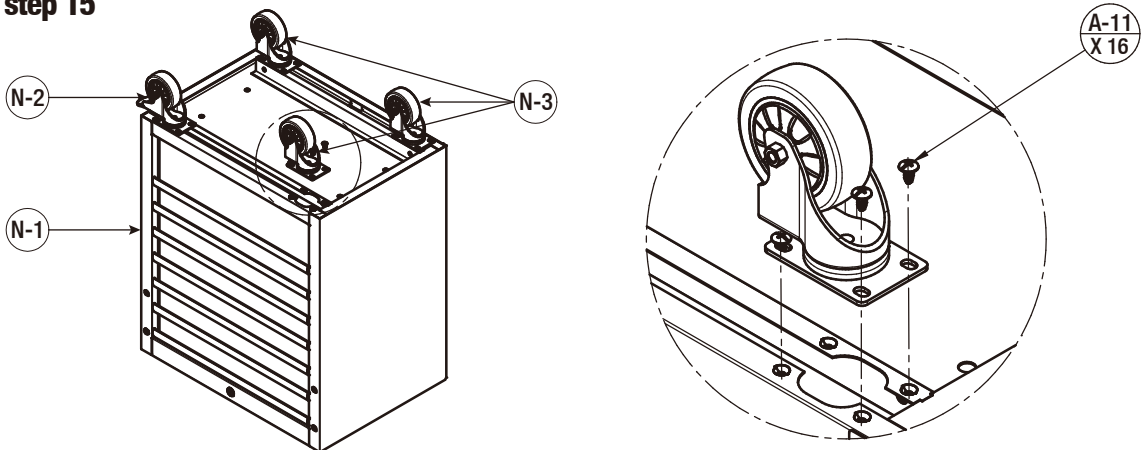
7 Drawers roller cabinet (N) /3964-15

PARTS LIST:

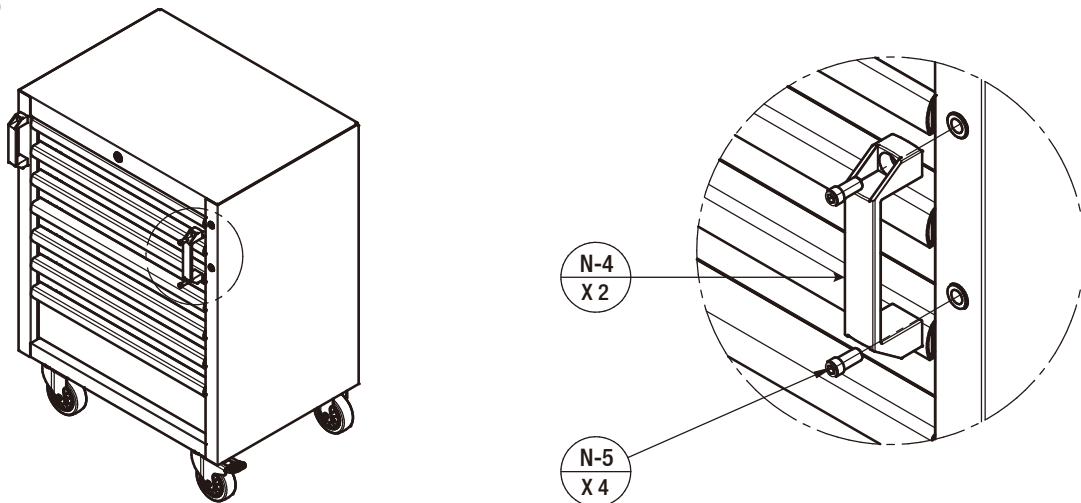
(N-1)  7 drawers cabinet body	(N-2)  Swivel caster	(N-3)  Swivel caster without brake	(N-4)  Handle	(N-5)  Bolt M8 X 16	(A-11)  Bolt ST6.3 X 12
--	---	---	--	--	--

Item	Description	Q'ty	Item	Description	Q'ty	Item	Description	Q'ty
N-1	7 drawers cabinet body	1	N-3	Swivel caster without brake	3	N-5	Bolt M8 X 16	4
N-2	Swivel caster	1	N-4	Handle	2	A-11	Bolt ST6.3 X 12	16+2

step 15



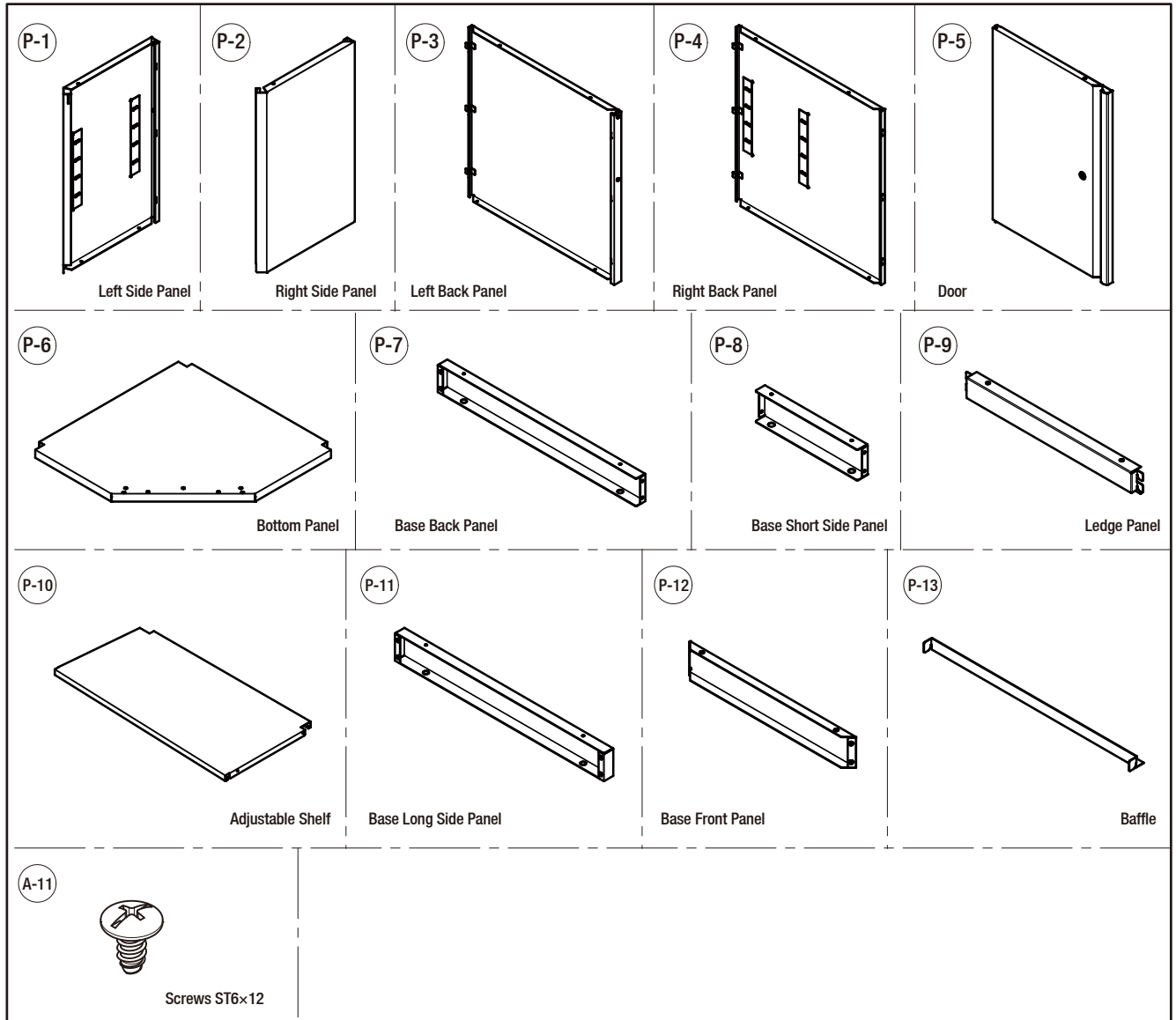
step 16



During assembly do not tighten bolts until all components are aligned properly, then tighten fully.

Carefully unpack and spread out all parts in a large uncluttered area. Familiarize yourself with all parts and compare them with the drawing below to make sure none are missing. Read all assembly instructions before beginning.

LOCKER (P) /3964-16
PARTS LIST:



Item	Description	Q'ty	Item	Description	Q'ty	Item	Description	Q'ty
P-1	Left Side Panel	1	P-6	Bottom Panel	1	P-11	Base Long Side Panel	1
P-2	Right Side Panel	1	P-7	Base Back Panel	1	P-12	Base Front Panel	1
P-3	Left Back Panel	1	P-8	Base Short Side Panel	2	P-13	Baffle	1
P-4	Right Back Panel	1	P-9	Ledge Panel	1	A-11	Screws ST6x12	21+1
P-5	Door	1	P-10	Adjustable Shelf	1			

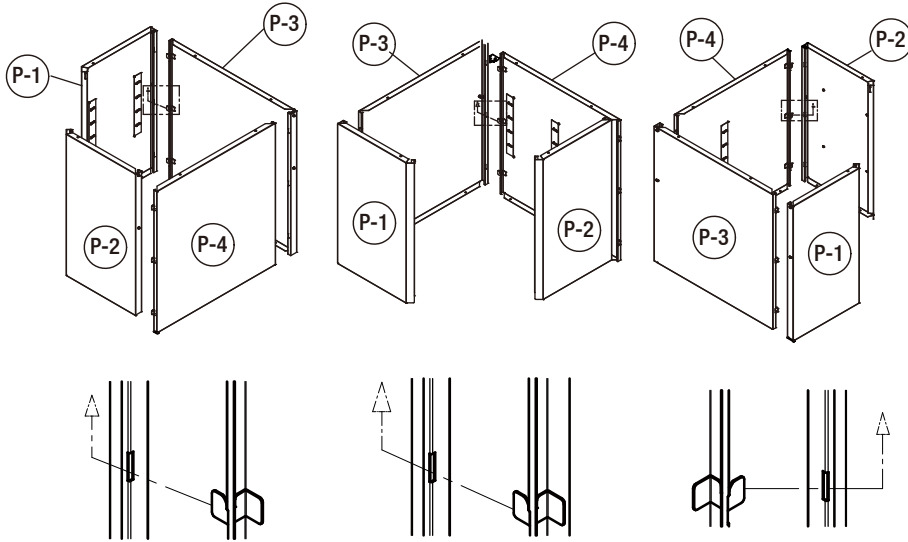
TOOLS REQUIRED:

#2 and #3 phillips screwdrivers

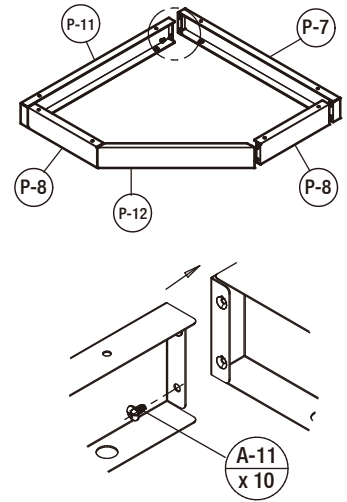
10mm wrench or socket for caster nuts

13mm wrench or socket for corner frame nuts

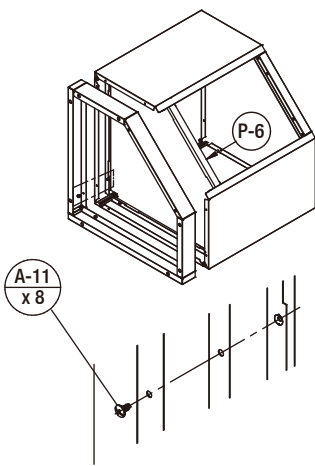
Step 17



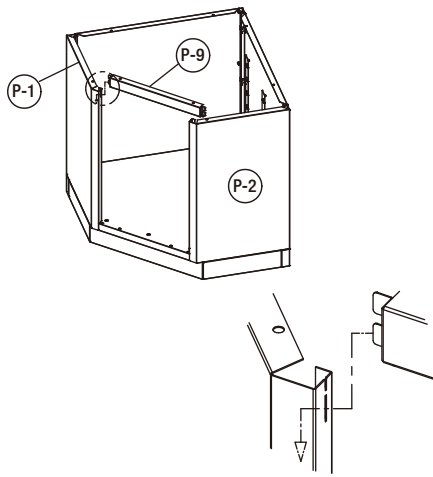
Step 18



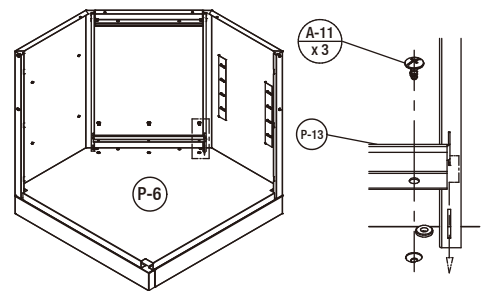
Step 19



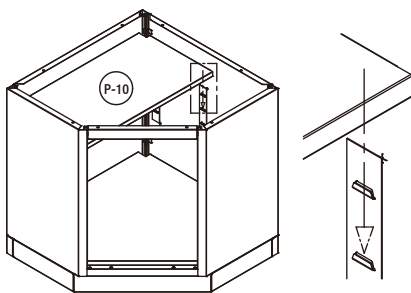
Step 20



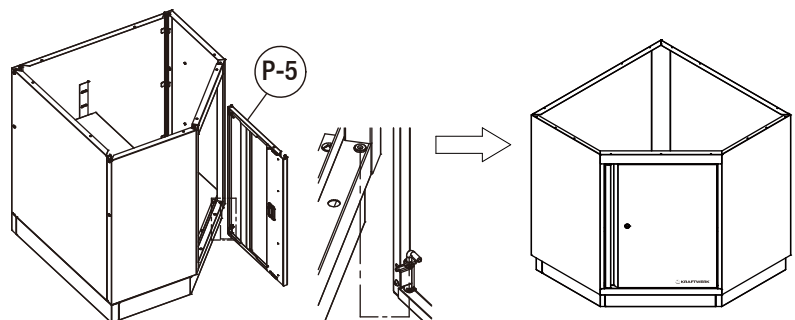
Step 21



Step 22



Step 23



During assembly do not tighten bolts until all components are aligned properly, then tighten fully.

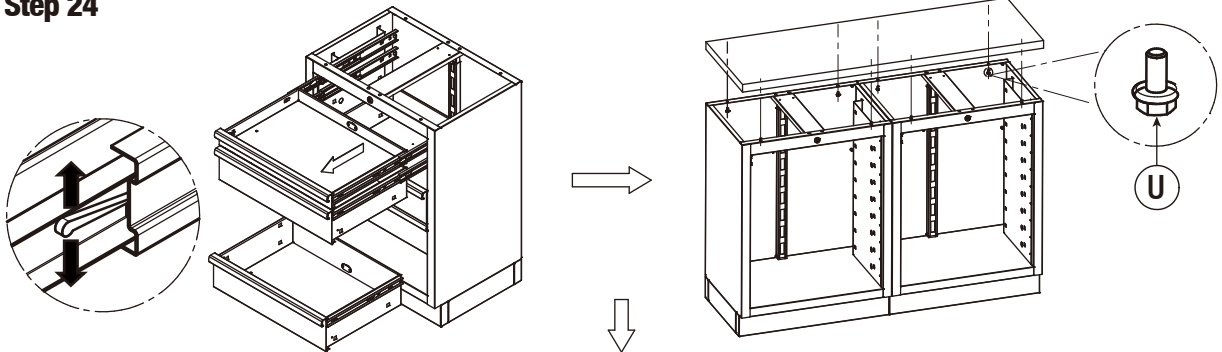
TOOLS REQUIRED:

#2 and #3 phillips screwdrivers

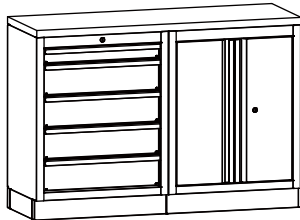
10mm wrench or socket for caster nuts

13mm wrench or socket for corner frame nuts

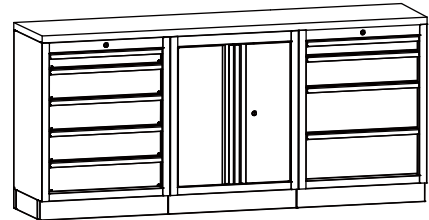
Step 24



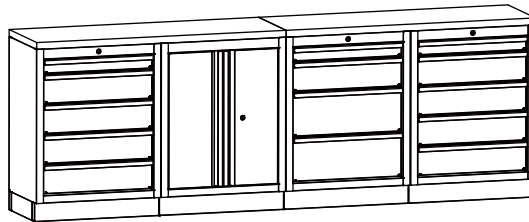
3964A: (B) + (C)
 Base cabinet: 3964-05 + 3964-03
 Wooden top: 3964-09
 or
 stainless top: 3964-21



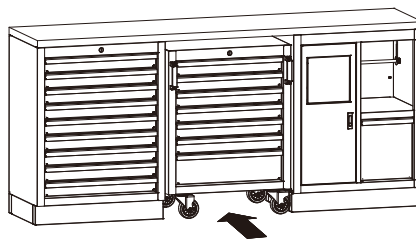
3964B: (B) + (C) + (D)
 Base cabinet: 3964-05 + 3964-03 + 3964-04
 Wooden top: 3964-18
 or
 stainless top: 3964-22



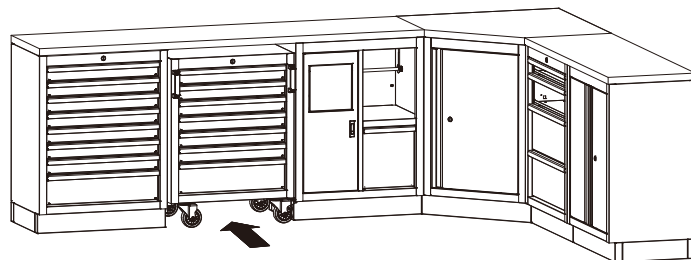
3964C: 2x (B) + (C) + (D)
 Base cabinet: 2x 3964-05 + 3964-03 + 3964-04
 Wooden top: 2x 3964-09
 or
 stainless top: 2x 3964-21



3964D: (L) + (N) + (O)
 Base cabinet: 3964-13 + 3964-15 + 3964-11
 Wooden top: 3964-18
 or
 stainless top: 3964-22



3964E: (M) + (N) + (O) + (P) + (D) + (C)
 Base cabinet: 3964-14 + 3964-15 + 3964-11 + 3964-16 + 3964-04 + 3964-03
 Wooden top: 3964-18 + 3964-16-99 + 3964-06
 or
 stainless top: 3964-22 + 3964-23 + 3964-21



During assembly do not tighten bolts until all components are aligned properly, then tighten fully.

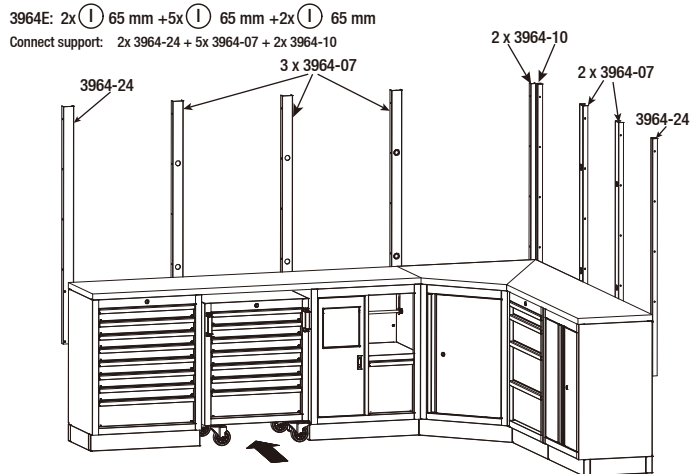
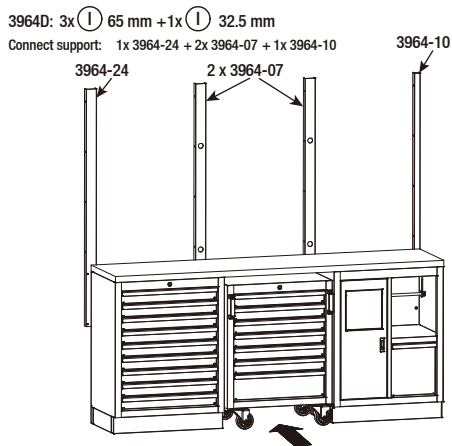
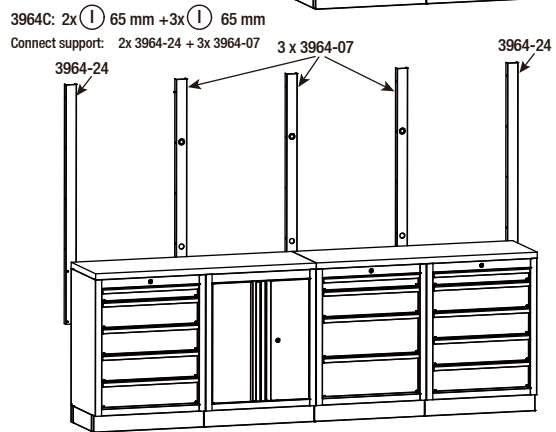
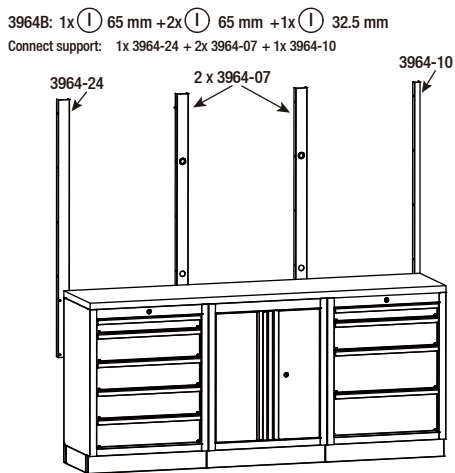
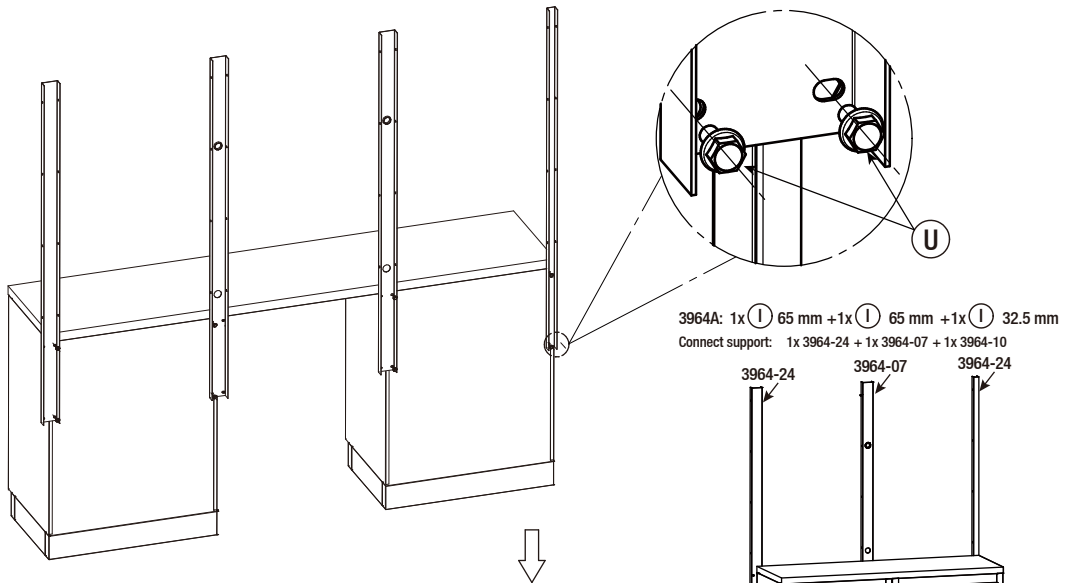
TOOLS REQUIRED:

#2 and #3 phillips screwdrivers

10mm wrench or socket for caster nuts

13mm wrench or socket for corner frame nuts

Step 25



During assembly do not tighten bolts until all components are aligned properly, then tighten fully.

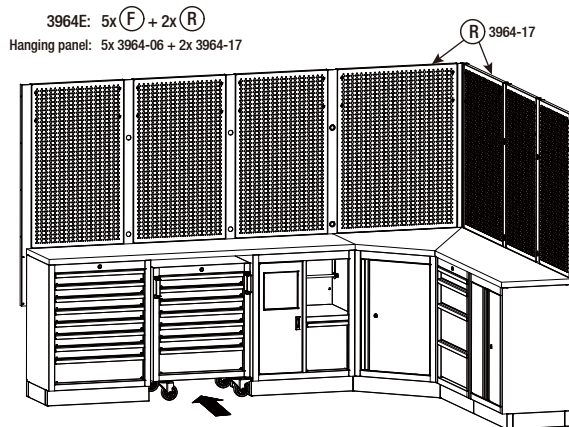
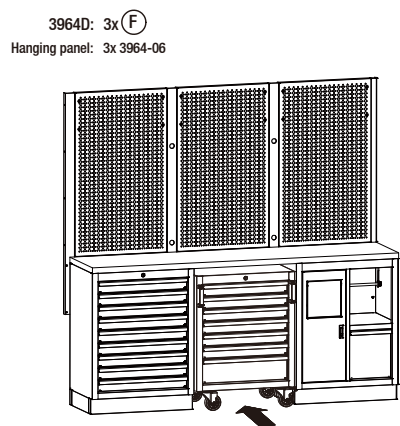
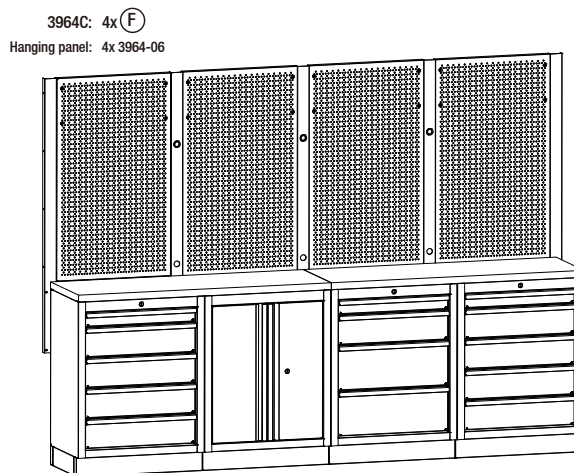
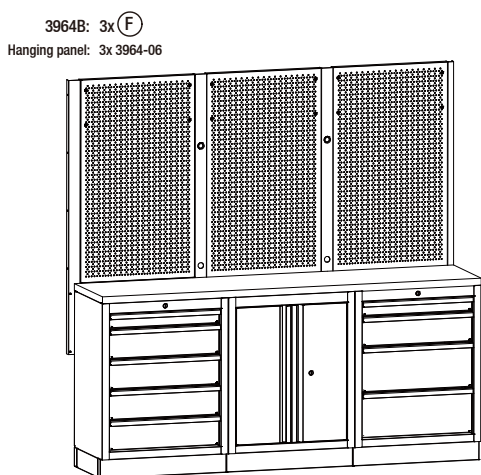
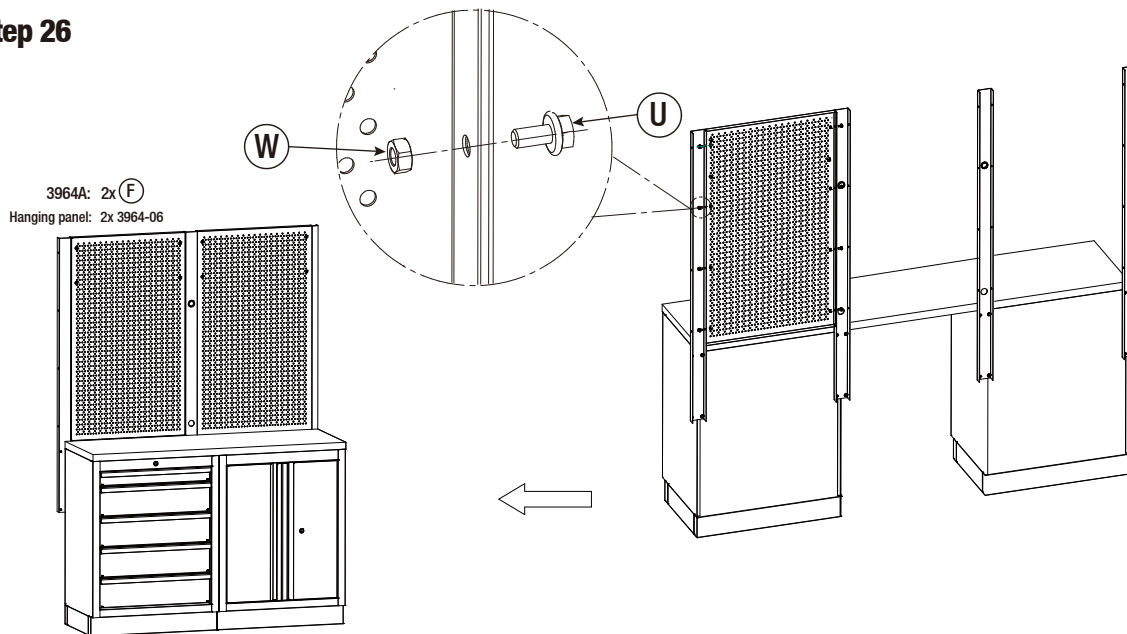
TOOLS REQUIRED:

#2 and #3 phillips screwdrivers

10mm wrench or socket for caster nuts

13mm wrench or socket for corner frame nuts

Step 26



During assembly do not tighten bolts until all components are aligned properly, then tighten fully.

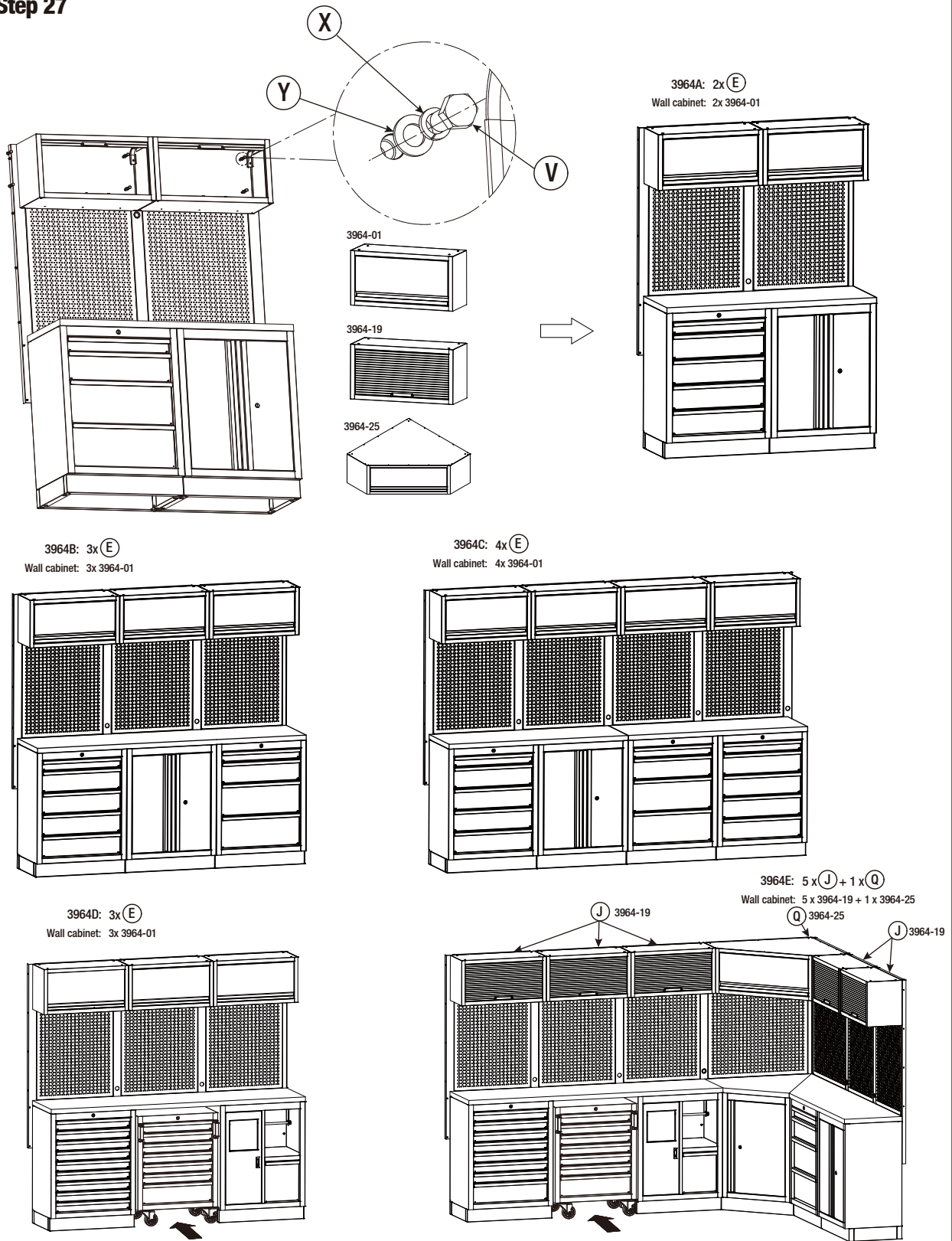
TOOLS REQUIRED:

#2 and #3 phillips screwdrivers

10mm wrench or socket for caster nuts

13mm wrench or socket for corner frame nuts

Step 27



During assembly do not tighten bolts until all components are aligned properly, then tighten fully.

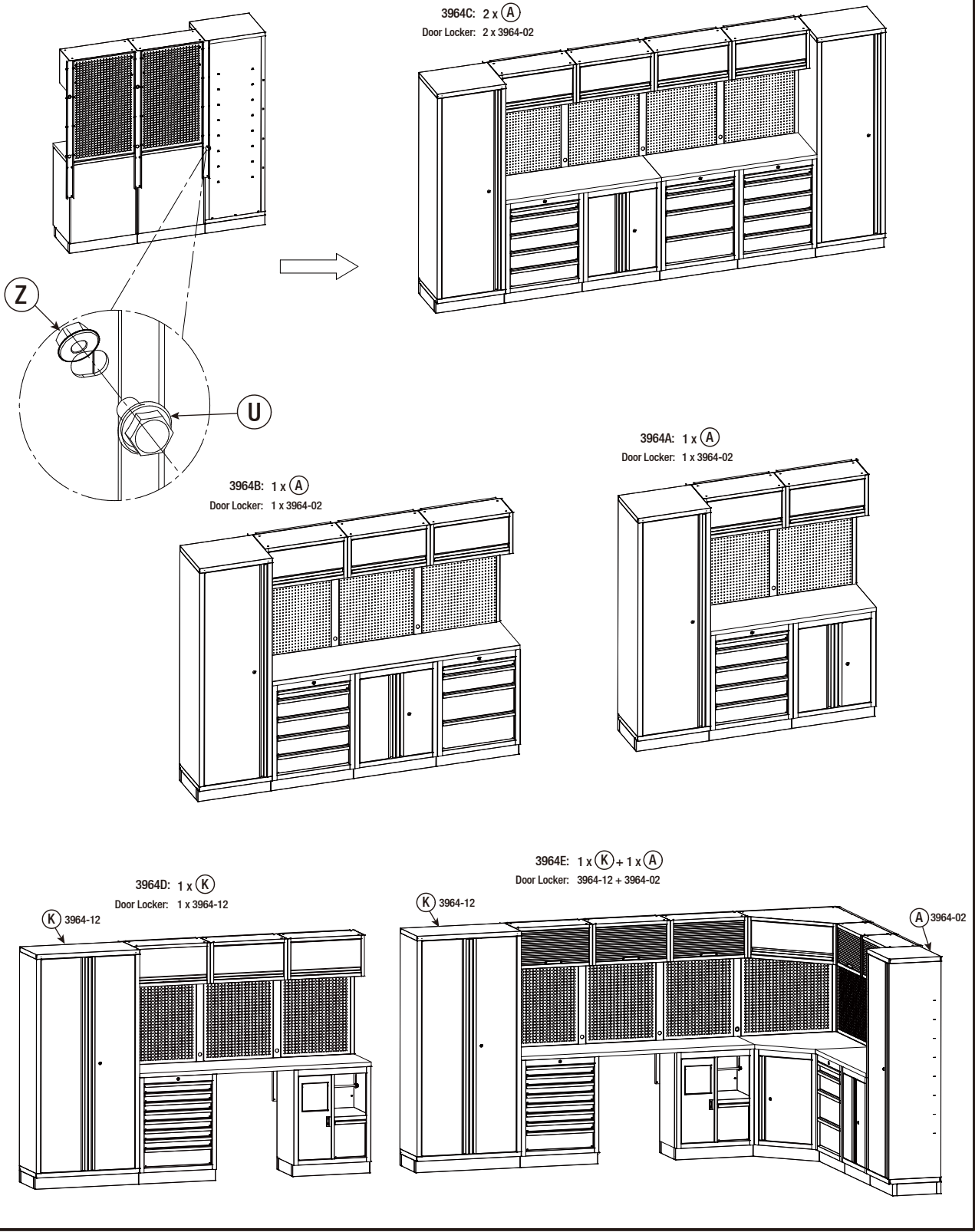
TOOLS REQUIRED:

#2 and #3 phillips screwdrivers

10mm wrench or socket for caster nuts

13mm wrench or socket for corner frame nuts

Step 28



During assembly do not tighten bolts until all components are aligned properly, then tighten fully.

TOOLS REQUIRED:

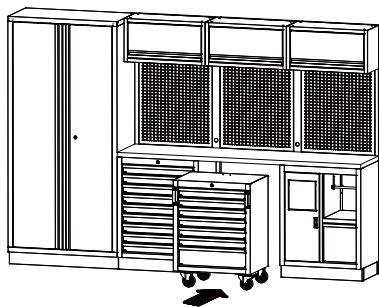
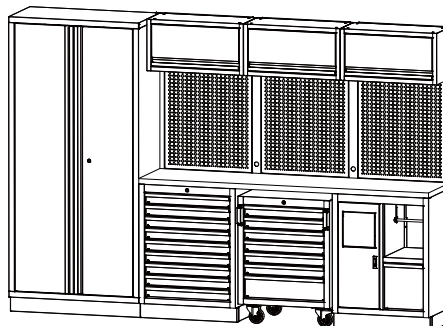
#2 and #3 phillips screwdrivers

10mm wrench or socket for caster nuts

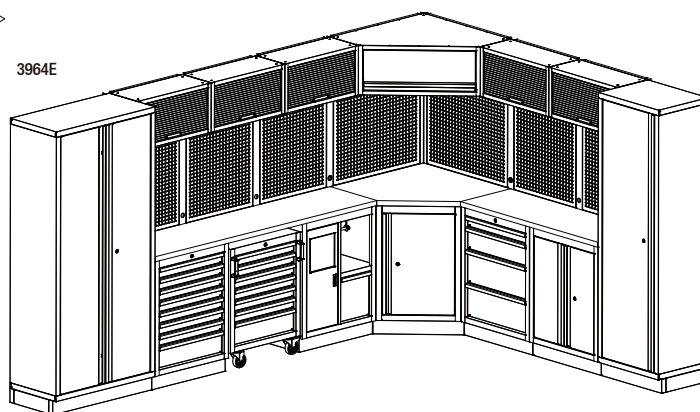
13mm wrench or socket for corner frame nuts

Step 29

3964D



3964E



During assembly do not tighten bolts until all components are aligned properly, then tighten fully.