

# KRAFTWERK®

FAVORITE TOOLS SINCE 1979

## Instruction Manual Foldable engine stand

Art. 38131

EN



## OPERATION

Before applying load, lock the mounting plate's rotating mechanism by using a hoist. Suspend the engine at the same level as the mounting plate. Lose the bolts at the mounting arms from the mounting plate (but do not remove). Place the mounting arms to the rear of the engine and bolt it by using the bell housing mounting bolts (bolts not supplied). Make sure the engine is centered and straight to the mounting plate. Next, tighten the mounting arms to the engine and the mounting arms to the mounting plate. As soon as all connections were fixated and you made sure about that, then you can SLOWLY lower the hoist. So the load can be transferred to the stand.

If you want to remove an engine from the stand, then you have to attach the hoist to the engine first. For attach the engine to the hoist, you can use a sling or another appropriate device. As soon as the sling is applied safely to the engine, then can the hoist be lifted carefully. In this case, the load will be taken off from the stand. The stand can be freed from the engine by removing the bolts from the mounting arms and the mounting plate.

## INSPECTION

A complete visual inspection must be made before each use of the stand. Check for broken or cracked welds, excessive rust and loose, damaged or missing parts. Check that the wheels and casters operate smoothly. Also check that the mounting plate rotation lock works properly before applying load. If any problems as described above or otherwise are found, remove the stand from service. Also inspect the label, making sure that it is legible and securely attached to the stand. If not, call the allied parts department for a replacement.

## MAINTENANCE

Keep your stand clean and well lubricated. Lubricate all wheel axles with motor oil or light machine oil and grease the caster swivel bearings once a year or as necessary. Also apply a thin coat of grease to the mounting plate rotating mechanism as necessary, but at least once a year.

## WARNING

- Study, understand and follow all warnings and instructions before using this stand.
- Do not exceed rated capacity.
- Use only on hard, level surfaces capable of sustaining a full capacity load.
- Lock mounting plate rotating mechanism before applying load.
- Be sure the engine is centered and secured to mounting plate before applying load to stand.
- Off center loads may make the load and handle rotate in either direction when the rotational locking device is released.
- Release the rotational locking device slowly and carefully.
- Do not attempt to move the loaded stand across a floor having cracks or other obstacles that could impede movement.
- Never work directly under a supported load.
- Visually inspect stand for damage before use. Check for cracked welds, bent metal and loose, damaged or missing parts.
- Use only Goodyear racing or allied quality attachments and adapters.
- Do not make any alterations to this product.
- Failure while heed these warnings may result in personal injury, property damage and/or death.

## DESCRIPTION

This engine stand is a device used to mount an automotive type engine when removed from a vehicle. This device is designed to provide access to the engine for servicing and/or rebuilding. The stand incorporates a locking, rotatable mounting plate so that the user can turn the engine for ease of access. The stand also incorporates wheels and castors to allow mobility across a smooth, flat surface.

## OWNER/OPERATOR RESPONSIBILITY

Before the use of this product, the owner and/or operator must have a complete understanding of all warnings, instructions, inspection and maintenance procedures, which are described in this manual as well as described on the product label. Anyone involved in the use and/or operation of this device must be careful, competent, and qualified in its safe operation and use.

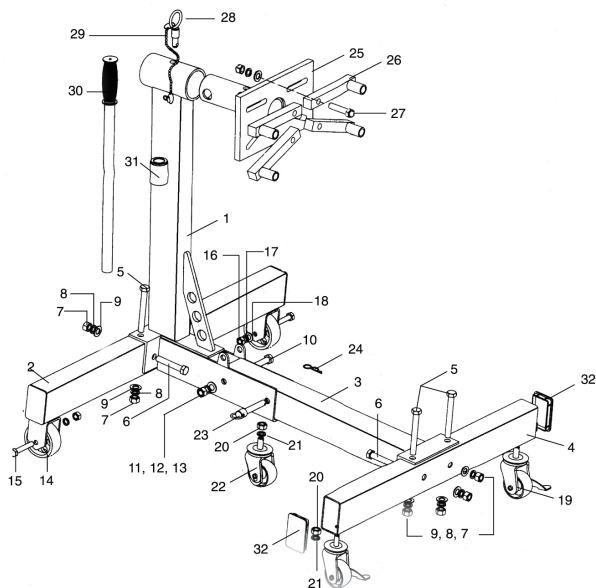
If the operator is not fluent in English, instructions and warnings must be read to and discussed with the operator in the operator's native language, ensuring comprehension and understanding.

It is also the responsibility of the owner/operator to study and keep this manual and all product and warning labels intact and legible for further reference. Replacement labels and manuals are available upon request.

## ASSEMBLY INSTRUCTIONS

1. ASSEMBLE MAST (1) TO REAR LEG (2) USING TWO LONGER BOLTS (5), TWO SHORTER BOLTS (6), NUTS (7) , LOCK WASHERS (8) AND FLAT WASHERS (9) AS SHOWN.
2. ASSEMBLE THE CROSS MEMBER (3) TO THE FRONT LEG USING TWO LONGER BOLTS (5), TWO SHORTER BOLTS (6), NUTS (7), LOCK WASHERS (8) AND FLAT WASHERS (9) AS SHOWN.
3. ASSEMBLE WHEELS (14) TO REAR LEG (2) USING SHOULDER BOLTS (15), NUTS (16), LOCK WASHERS (17) AND FLAT WASHERS (18) AS SHOWN.
4. MOUNT THE MIDDLE CASTER (22) TO THE MAST ASSEMBLY (1) USING NUT (20) AND LOCK WASHER (21) AS SHOWN.
5. ASSEMBLE LOCKING CASTERS (19) TO FRONT LEG (4) USING NUTS (20) AND LOCK WASHERS (21).
6. ASSEMBLE CROSS MEMBER ASSEMBLY (3/4) TO THE MAST ASSEMBLY (1) USING THE SHOULDER BOLT (10), NUT (11), LOCK WASHER (12) AND FLAT WASHER (13) AS SHOWN.
7. INSERT HEAD (25) INTO HOUSING AT TOP OF MAST (1), FASTEN USING THE LOCKING PIN (28).
8. ASSEMBLE MOUNTING ADAPTORS TO THE HEAD USING BOLTS (27), NUTS (7), LOCK WASHERS (8) AND FLAT WASHERS (9) AS SHOWN.
9. TIGHTEN ALL FASTENERS AND PLACE CAPS (32) INTO THE LEG ENDS AS SHOWN.

# PART LIST



NOTE: All fasteners are Metric.



No.	Description	Qty	No.	Description	Qty
1	MAST ASSEMBLY	1	17	LOCK WASHER 8 mm	2
2	REAR LEG	1	18	FLAT WASHER 8 mm	2
3	CROSS MEMBER	1	19	LOCKING CASTER	2
4	FRONT LEG	1	20	NUT	3
5	BOLT 12 mm (1/2") x 100 mm (4")	4	21	LOCK WASHER	3
6	BOLT 12 mm (1/2") x 70 mm (2-3/4")	4	22	CASTER	1
7	NUT 17 mm	12	23	PIN	1
8	LOCK WASHER 12 mm	12	24	SPRING CLIP	1
9	FLAT WASHER 12 mm	12	25	MOUNTING HEAD	1
10	BOLT 12 mm (1/2") x 75 mm (3")	1	26	MOUNTING ADAPTOR	4
11	NUT 18 mm	1	27	BOLT 12 mm (1/2") x 75 mm (3")	4
12	LOCK WASHER 10 mm (3/8")	1	28	HEAD LOCKING PIN	1
13	FLAT WASHER 10 mm (3/8")	1	29	CHAIN	1
14	WHEEL	2	30	HANDLE	1
15	BOLT 10 mm (3/8") x 60 mm (2-3/8")	2	31	GROMMET	1
16	NUT 14 mm	2	32	CAP	4



# DECLARATION OF CONFORMITY

Model: **38131**

**Foldable engine stand 680 kg**

**KRAFTWERK Sàrl**, 25 rue due Stade, F-67870 Bischoffsheim

Declares under sole responsibility that the product to which this declaration relates is in conformity with the following standard(s) or other normative document(s):

**EN ISO 12100: 2010**

**EN ISO 13857: 2008**

**EN 349: 1993+A1/2008**

Following the provisions of Directive(s)  
Machinery Directive:

**2006/42/EC**

Bischoffsheim, 01/07/2018



Alexander Pieper  
CEO

## WARRANTY

We do not take responsibility for any damage caused by misuse or any use that is not in compliance with the safety standards described herein.

## CUSTOMER SERVICES

Contact your local importer or your specialized dealer to obtain address of our service department.

---

**FROM DATE OF PURCHASE RECEIPT  
2 YEAR GUARANTEE  
ON MATERIAL OR PRODUCTION DEFECTS**

# **KRAFTWERK®**

FAVORITE TOOLS SINCE 1979

**KRAFTWERK Europe AG**  
Mettlenbachstrasse 23  
CH-8617 Mönchaltorf  
Switzerland  
Tel. +41-44 949 40 50

**KRAFTWERK Sàrl.**  
25, rue du Stade  
F - 67870 Bischofsheim  
France  
Tel. +33-388 48 64 50

[www.kraftwerktools.com](http://www.kraftwerktools.com)