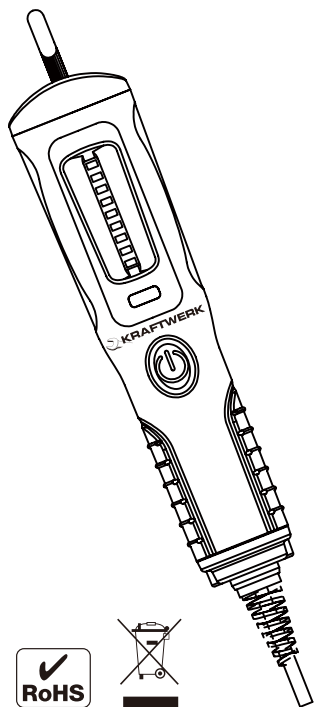
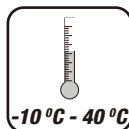


## Instruction Manual

### Electric SMD-LED workshop- and inspection hand lamp



Art. 32034



Please read these instructions carefully to ensure the safe and effective use of this tool.

Download Bedienungsanleitung / Téléchargement du mode d'emploi / Instructions download  
 Descarga de la instrucción de uso / Download de instruções de operação / Download del manuale



## TECHNICAL DATA

LED: 9 SMD x 0.5 W

Lumen: 350 Lm

Output: AC 100-240 V 50-60 Hz

Plug: IP44 two pins european plug

Cable: 5 m of H05RN-F 2x 1.0 mm<sup>2</sup> rubber cable

Product IP Rating: IP65



## WARNINGS AND CAUTIONS

A LIGHT NOT MARKED for OUTDOOR USE is to be used for INDOOR ONLY.

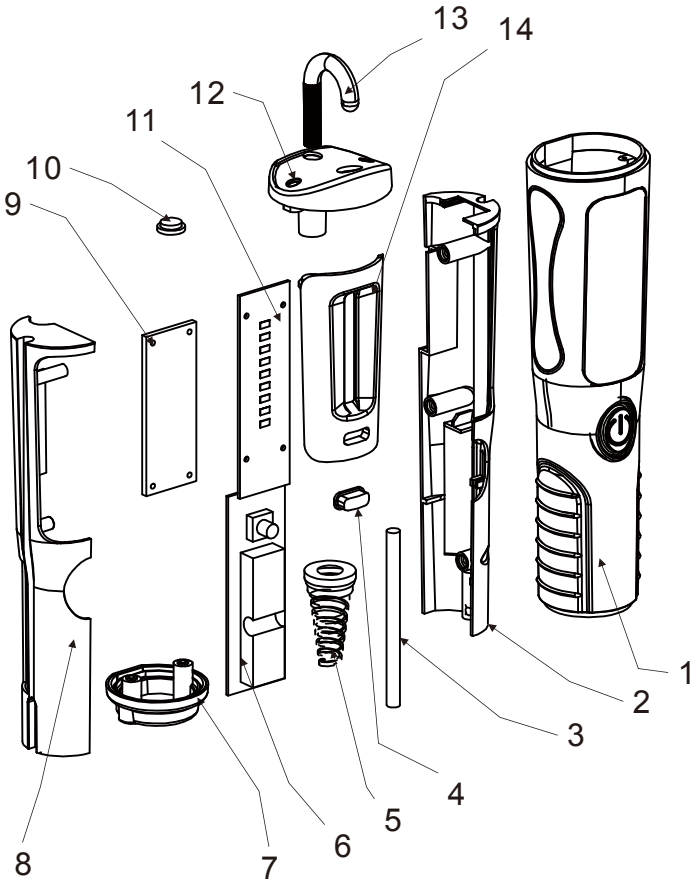
Risk of electrical shock. Not for use near gas, combustible or explosive materials.

Misuse can lead to FIRE or DEATH by electrical shock.

Please read carefully and follow all directions before using.

- KEEP CHILDREN AWAY
- Fully insert plug into (100 - 240 V AC) power source
- Grasp plug, NOT CORD, to remove from outlet
- Don't use in or around tubs, showers, sinks, pools, hot tubs, or in a wet environment
- Do not operate light with wet hands
- DO NOT USE a damaged cord set
- Inspect light periodically
- Keep lamp away from hot objects
- DO NOT open, repair or modify
- Unplug when changing LED board, use only LED board from original factory

**EXPLOSIVE DRAWING**



1	Main housing	8	Inner housing
2	Inner housing	9	Cooling pad
3	Rubber cable	10	Insert part
4	LED indicator cover	11	PCB with 9 SMD
5	Cable Gland	12	Top cover
6	Control PCB	13	Hook
7	Bottom cover	14	Reflector



**NOTE:** Before disposing of damaged goods, check with your state Environmental Protection Agency to find out about special restrictions on the disposal of tool or return them to a certified service center for recycling.

#### **WARRANTY**

We do not take responsibility for any damage caused by misuse or any use that is not in compliance with the safety standards described herein.

#### **CUSTOMER SERVICES**

Contact your local importer of your specialized dealer to obtain address of our service department. You find our partners under **[www.KRAFTWERKtools.com](http://www.KRAFTWERKtools.com)**

---



From date of purchase receipt

**2 YEARS GUARANTEE**

on material- or production-defects