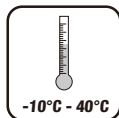


Instruction Manual

Rechargeable cordless lamp with special COB LED for colour matching and control of paint works

EN



CRI: 95

Color Control

5 W HIGH CRI COB LED



Art. 32033

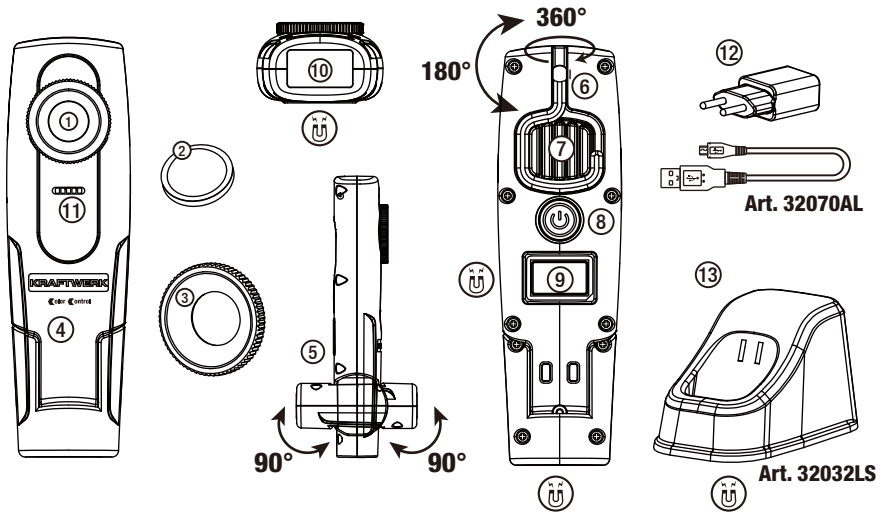


Please read these instructions carefully to ensure the safe and effective use of this lamp.

Download Bedienungsanleitung / Téléchargement du mode d'emploi / Instructions download
Descarga de la instrucción de uso / Download de instruções de operação / Download del manuale



FUNCTION AND DESCRIPTION OF THE LED LAMP



- ① 5 W HIGH CRI COB LED
- ② Lens
- ③ Metal lamp reflector
- ④ Plastic housing
- ⑤ 180° rotatable, lockable lamp handle for a flexible light alignment
- ⑥ 360° rotatable and foldable hook
- ⑦ Metal heat sink
- ⑧ On and Off switch:
 - press 1x high light mode (380 Lumen) (after 5 minutes automatically switch to low light mode)
 - press 2x low light mode (180 Lumen)
 - press 3x off
- ⑨ Magnet on the rear of the housing
- ⑩ Magnet on base
- ⑪ Charging / battery indicator
- ⑫ USB cable with AC / DC mains power supply (100 V-240 V)
- ⑬ Charging base

TECHNICAL DATA

Lamp : 5 W HIGH CRI COB LED

Lamp Lumen: 380 lm / 180 lm

Operating time : approx. 5 min (high light mode), approx. 3.5 h (low light mode)

Input voltage external power supply : 100-240V AC / 50-60 Hz

Charging current : 5 V / 1000 mA

Charging time : approx. 4-4.5 h

Charging and low battery warning indicator

CHARGING PROCESS

Before first use, the lamp should be fully charged. The lamp should also be fully charged before being stored for a longer period of time.

To charge the lamp, put the lamp into charging base and insert the USB cable connection with AC / DC power supply. Then connect the AC/DC power supply to main socket.

The battery should only be charged with the charger supplied by the manufacturer. To avoid damage, please do not use another chargers. When not in use, the charging cable must be unplugged from the outlet. Keep the lamp in a dry place away from direct sunlight. The lamp must be protected against high humidity and water.

Charging indication via coloured LEDs:

- Battery is charging: The blue LED indicators blink
- Battery is fully charged: The five LED indicators turn full blue



WARNING

A light not marked for outdoor use is to be used for indoors only. Risk of electrical shock. Not for use near gas, combustible or explosive materials. Misuse can lead to FIRE or DEATH by electrical shock. Please read carefully and follow all directions before using.

- Keep children away.
- Don't use in or around tubs, showers, sinks, pools, hot tubs, or in a wet environment.
- Don't operate light with wet hands.
- Don't use near open flames or hot objects.
- Fully insert plug into power source (100 - 240 V).
- Grasp plug, not cord, to remove from outlet.
- Don't use a damaged cord set.
- Inspect light periodically.
- Don't disassemble, repair or modify the light.
- Don't look directly into the light beam, because it dazzle.



Waste electrical products should not be disposed of together with household waste. Please recycle where facilities exist. Check with your local authority or retailer for recycling advice.

- The battery can not be replaced
- The battery must be removed from the appliance before it is scrapped
- The appliance must be disconnected from the supply mains when removing the battery
- The battery is to be disposed of safely

WARRANTY

We do not take responsibility for any damage caused by misuse or any use that is not in compliance with the safety standards described herein.

Customer services

Contact your local importer of your specialized dealer to obtain address of our service department.
You find our partners under **www.KRAFTWERKtools.com**



From date of purchase receipt
2 YEARS GUARANTEE
on material- or production-defects