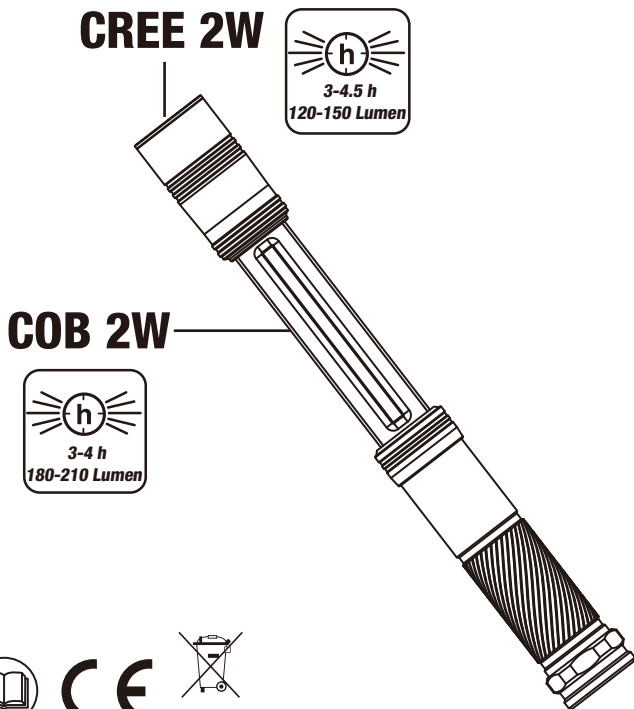


Instruction Manual

Rechargeable lamp

CREE 2 W + COB LED 2 W

EN



Art. 32020



Please read these instructions carefully to ensure the safe and effective use of this lamp.

Download Bedienungsanleitung / Téléchargement du mode d'emploi / Instructions download
 Descarga de la instrucción de uso / Download de instruções de operação / Download del manuale



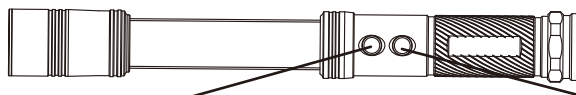
BASIC PARAMETERS

Battery	Built-In 3.6 V 2200 mAh Li-ion rechargeable battery
Charge-Discharge Cycles	>800
Ingress Protection Grade	IP67
Full Charging Time	3.5-4 h
Working Time (CREE LED 2W)	3-4.5 h
Working Time (COB LED 2W)	3-4 h
LED Lifetime	100,000 hrs
LED Light Intensity (CREE LED 2W)	120-150 Lm
LED Light Intensity (COB LED 2W)	180-210 Lm
Luminous flux (from 1 m)	350-380 Lux
LED Color Temperature	6500 K (Cool white)
Battery Storage Time (Unload)	2 Years
Charging Temperature	-5°C - 45°C
Discharging Temperature	-20°C - 50°C
Storage Temperature	-20°C - 80°C
Transformer	DC 5.5 V / 1000 mA
Net Weight	0.26 kg
Dimensions (Ø x L)	37 mm x 295 mm

1. APPLICATION

1.1 Included are 2 Li-ion batteries. The lamp has 2 lightning functions: Torch-light with CREE-Power LED and wide-angle COB LED on the side.

1.2 Operation with 2 press switches



Switch 1: control the top CREE LED

Switch 2: control the side COB LED

Switch 1: Press to switch on the top CREE LED. Press again to switch off.

Switch 2: Press to switch on the side COB LED. Press again to switch off.

Switch 1 and switch 2 are independent of each other and can be used together.

1.3 Working time

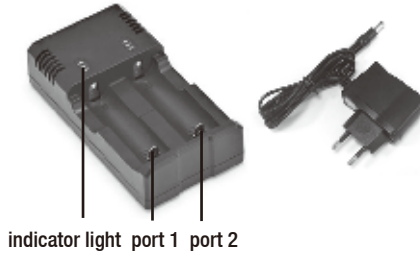
Top CREE LED: 3 - 4.5 h

Side COB LED: 3 - 4 h

CREE + COB LED together: 1.5 - 2 h

2. CHARGER

2.1 Structure



The charger can charge 2 pieces of 18650 Li-ion batteries together. The indicator light shows the charging condition.

3. FUNCTIONS

3.1 Each port has an indicator light



3 indicator LED lights are permanently on: battery is fully charged.

2 indicator LED lights are permanently on: battery is still 60% charged.

1 indicator LED light is permanently on: battery is only 30% charged.

3.2 2 independently working charging ports for separate and/or common charging.

3.3 Charging time:

Battery Quantity	Charging time
1 piece	3.5-4 hours
2 pieces	8 hours



NOTE: Before disposing of damaged goods, check with your state Environmental Protection Agency to find out about special restrictions on the disposal of the lamp and batteries or return them to a certified service center for recycling.

WARRANTY

We do not take responsibility for any damage caused by misuse or any use that is not in compliance with the safety standards described herein.

CUSTOMER SERVICES

Contact your local importer of your specialized dealer to obtain address of our service department. You find our partners under www.KRAFTWERKtools.com



From date of purchase receipt

2 YEARS GUARANTEE

on material- or production-defects



KRAFTWERK Europe AG
Mettlenbachstrasse 23
CH-8617 Mönchaltorf/Switzerland
Tel. +41-44 949 40 50

KRAFTWERK Sàrl.
25, rue du Stade
F – 67870 Bischoffsheim
Tel. +33-388 46 64 50

www.KRAFTWERKtools.com