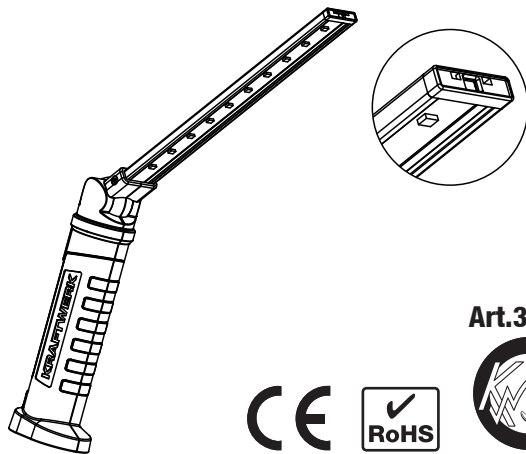


Using-Instructions

3 W 10 + 1 SMD LED rechargeable cordless lamp

2 sides variable swivel 180° / 180° turning head



Art.32018



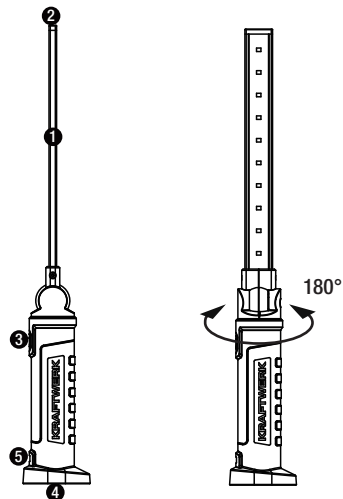
Please read these instructions carefully to ensure the safe and effective use of this tool.

Download Bedienungsanleitung / Téléchargement du mode d'emploi / Instructions download
Descarga de la instrucción de uso / Download de instruções de operação / Download del manuale

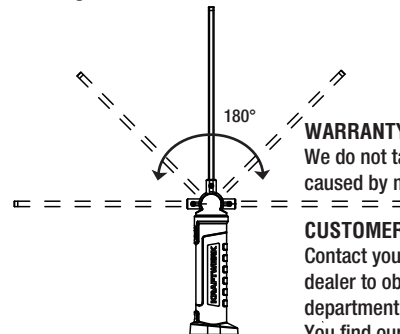


www.KRAFTWERKtools.com

EN



1. 10 SMD LED Bulb
2. 1 Top SMD LED Bulb
3. Operation:
Push 1 x: 10 LED on
Push 2 x: 10 LED off, 1 LED on
Push 3 x: all off
4. Magnetic base
5. Charging socket and indicator



WARRANTY

We do not take responsibility for any damage caused by misuse.

CUSTOMER SERVICES

Contact your local importer of your specialized dealer to obtain address of our service department.

You find our partners under

www.KRAFTWERKtools.com



From date of purchase receipt
2 YEARS GUARANTEE
on material- or production-defects